



## Fixed Shelf 50lbs/22.7kg Black

**Part Number:** AR8105BLK

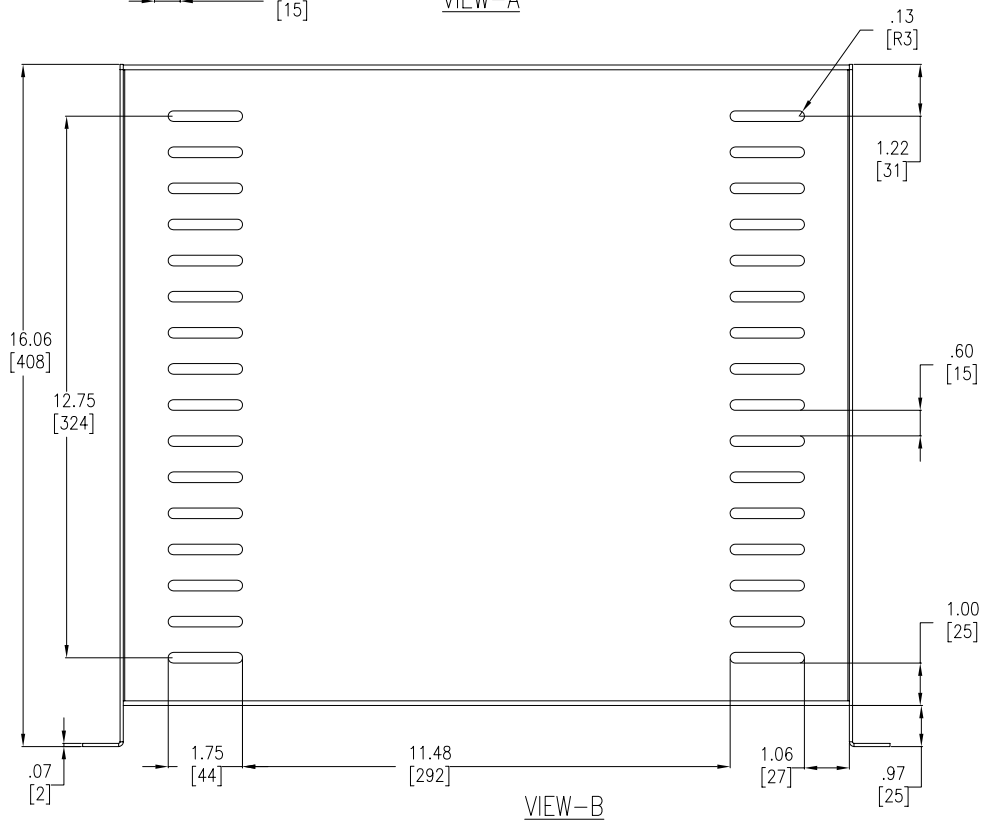
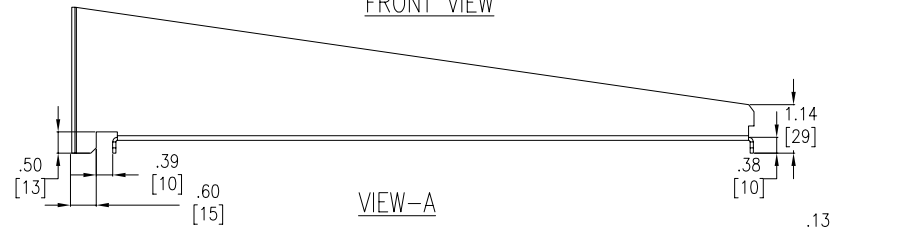
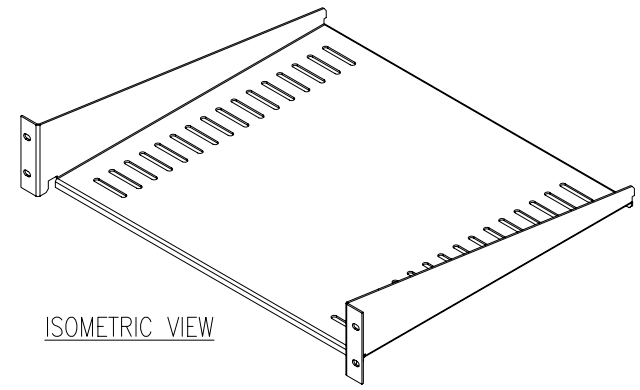
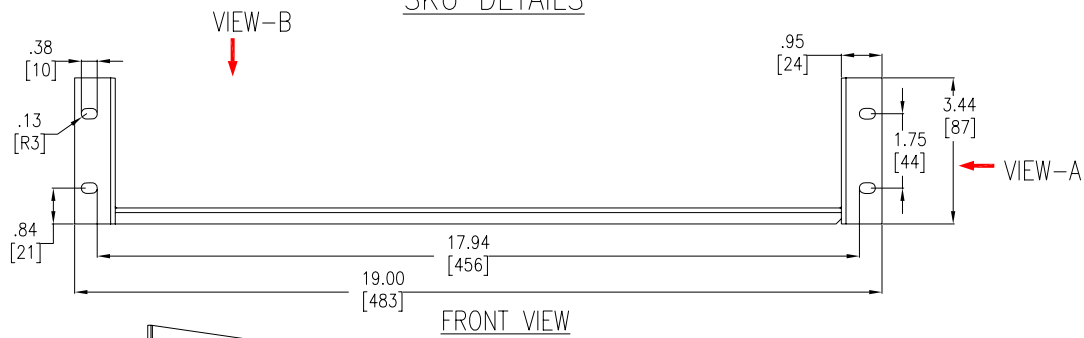
## Physical

Net Weight	2.27 KG
Maximum Height	89.00 mm
Maximum Width	483.00 mm
Maximum Depth	406.00 mm
Shipping Weight	4.27 KG
Shipping Height	102.00 mm
Shipping Width	572.00 mm
Shipping Depth	445.00 mm
Weight Capacity (static load)	22.73 KG
Minimum Mounting Depth	406.00 mm
Maximum Mounting Depth	406.00 mm
Rack Height	2U
Color	Black

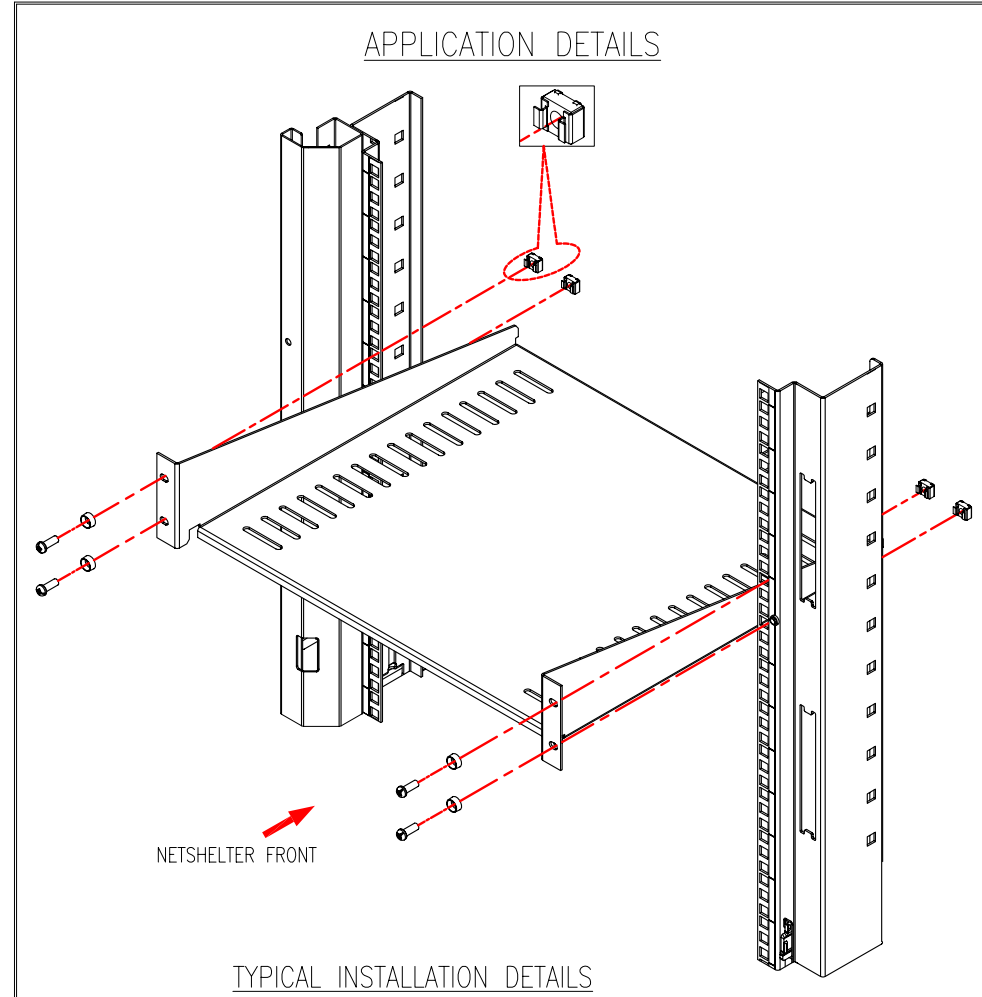
## Conformance

Standard Warranty	2 years repair or replace
Standards	EIA-310-D

# SKU DETAILS



# APPLICATION DETAILS



### NOTES:

1. INSTALLATION MUST COMPLY WITH ALL APPLICABLE NATIONAL AND LOCAL CODES.
2. PLEASE REFER TO APC PRODUCT MANUAL FOR DETAILS.
3. ALL DIMENSIONS ARE IN INCHES [MILLIMETERS].
4. EACH SKU OF AR8105BLK INCLUDES  
(4)M6 SCREWS, (4)M6 CUP WASHERS & (4)CAGED NUTS.
5. WEIGHT OF ONE UNIT IS 5 LBS [2.27 kg].

THIS DRAWING AND SPECIFICATIONS HEREIN ARE THE PROPERTY OF AMERICAN POWER CONVERSION AND SHALL NOT BE COPIED, REPRODUCED OR USED IN WHOLE OR IN PART, AS THE BASIS FOR THE MANUFACTURE OR SALE OF ITEMS WITHOUT WRITTEN PERMISSION FROM APC. THIS DRAWING IS BASED UPON LATEST AVAILABLE INFORMATION AND IS SUBJECT TO CHANGE WITHOUT NOTICE.



TITLE: FIXED SHELF 50LBS (22.7kg) BLACK  
PROJECT: SUBMITTAL DRAWINGS SHEET 1 OF 1

DWG NO:	AR8105BLK	REV:	0
DRAWN:	BALAMURUGAN	DATE:	08-FEB-08
ENGINEER:	M.UHRHAN/B.OLIVER	DATE:	08-FEB-08
APPROVED:	B.SHERIDAN/E.SLIVA/C.LARSEN/S.WACH	DATE:	08-FEB-08
ANGLE PROJECTION:	N.A.		